

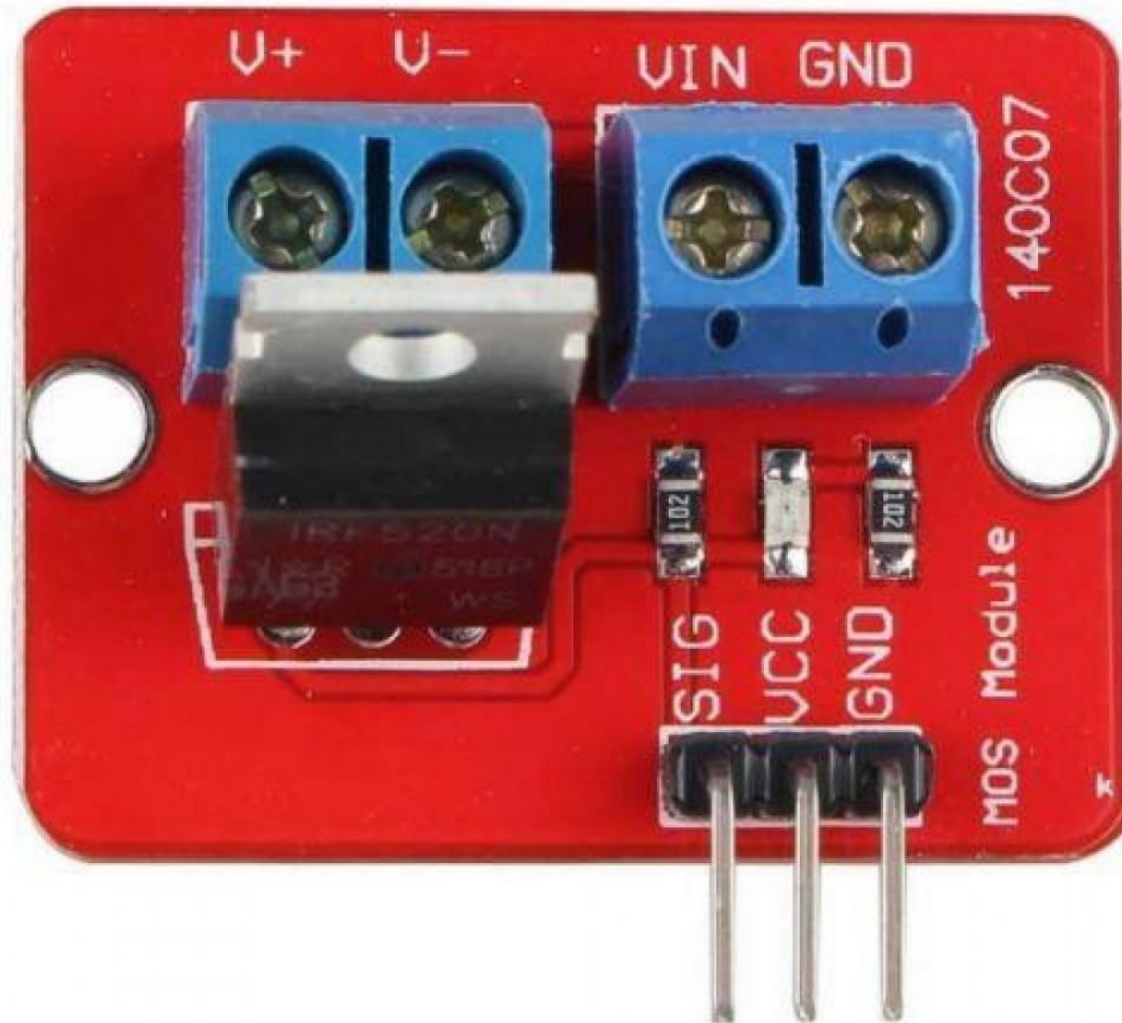
DC Motor Control using IRF520 MOSFET Driver Module

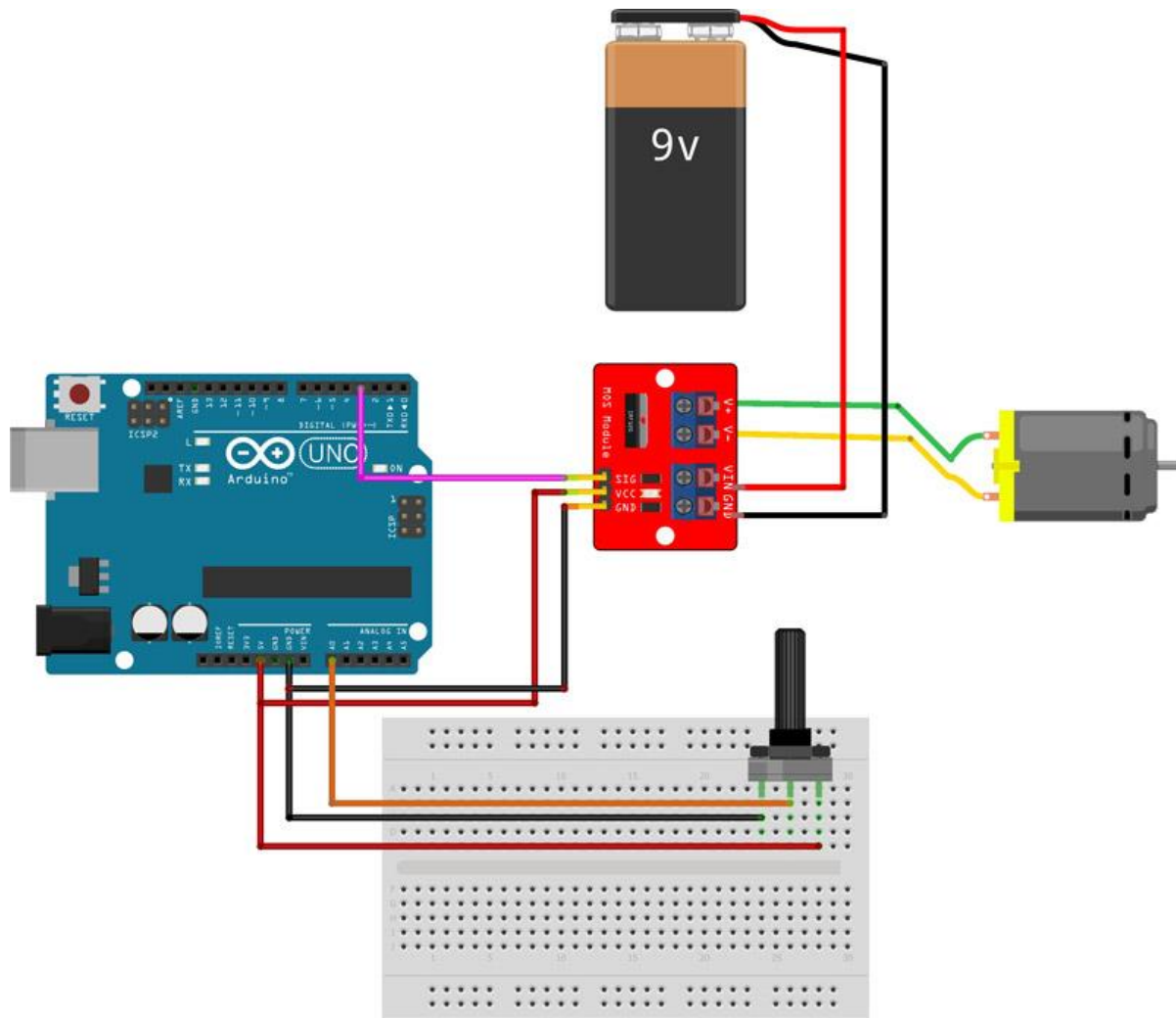
Dinesh Kumar

ISRO Satellite Center

Bangalore

IRF520 MOSFET Driver Module





```
#define PWM 3  
int pot;  
int out;
```

```
void setup() {  
  Serial.begin(9600);  
  pinMode(PWM,OUTPUT);  
}
```

```
void loop() {  
  pot=analogRead(A0);  
  out=map(pot,0,1023,0,255);  
  analogWrite(PWM,out);  
}
```